

SturdiMount

Split Mount

6" x 8-1/2" Fiber Cement Mount

Materials Description:

Manufactured of lightweight cellular PVC with a built-in nailing flange.

Product Applications:

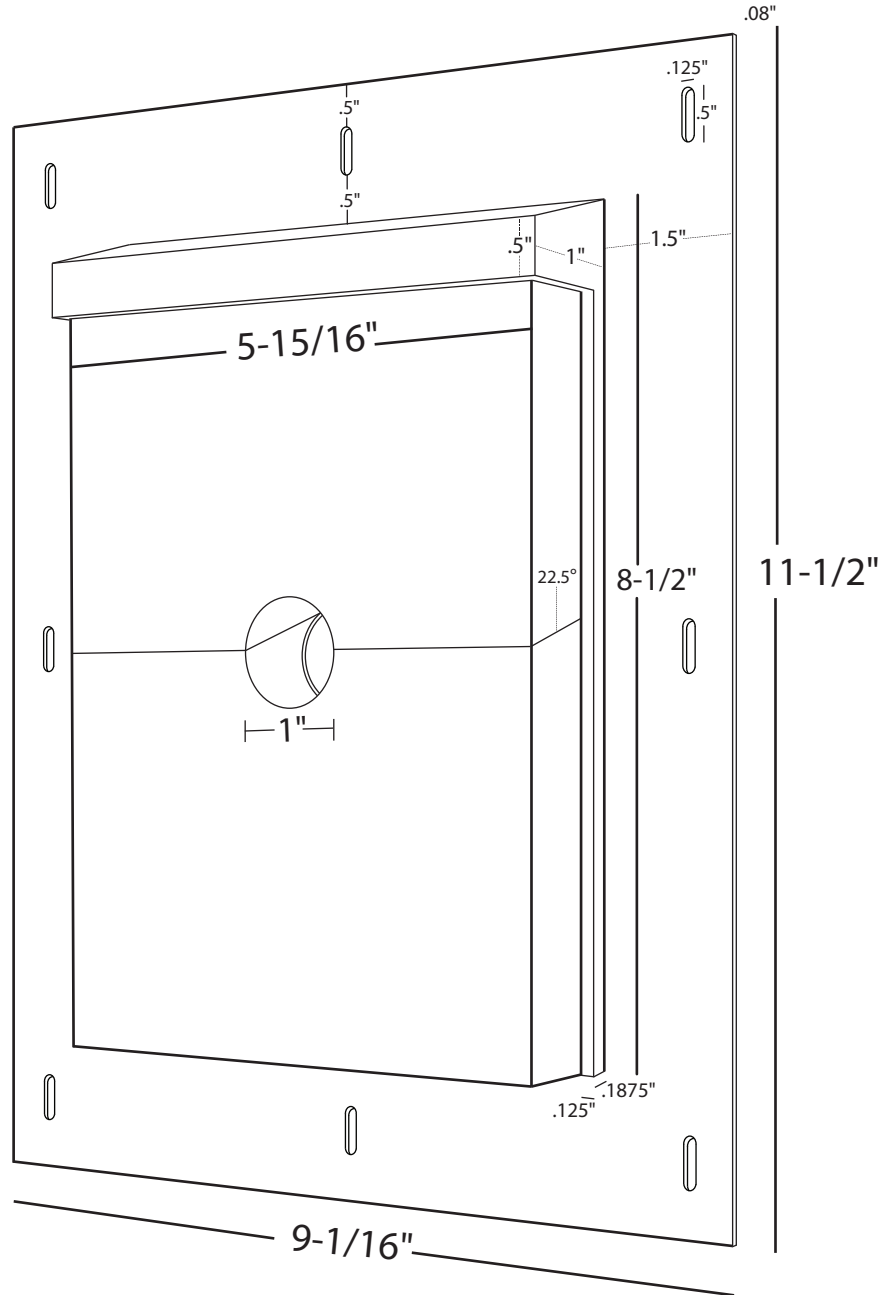
Spigots, gas lines and door bells

Weight:

7.5 lbs.

Color Availability:

- Arctic White
- Autumn Tan
- Cobble Stone
- Khaki Brown
- Light Mist
- Monterey Taupe
- Navajo Beige
- Sail Cloth
- Sandstone Beige
- Timber Bark
- Woodland Cream
- Woodstock Brown
- Trim White
- Primed



SturdiMount

SturdiMount.com | 800-521-8486

