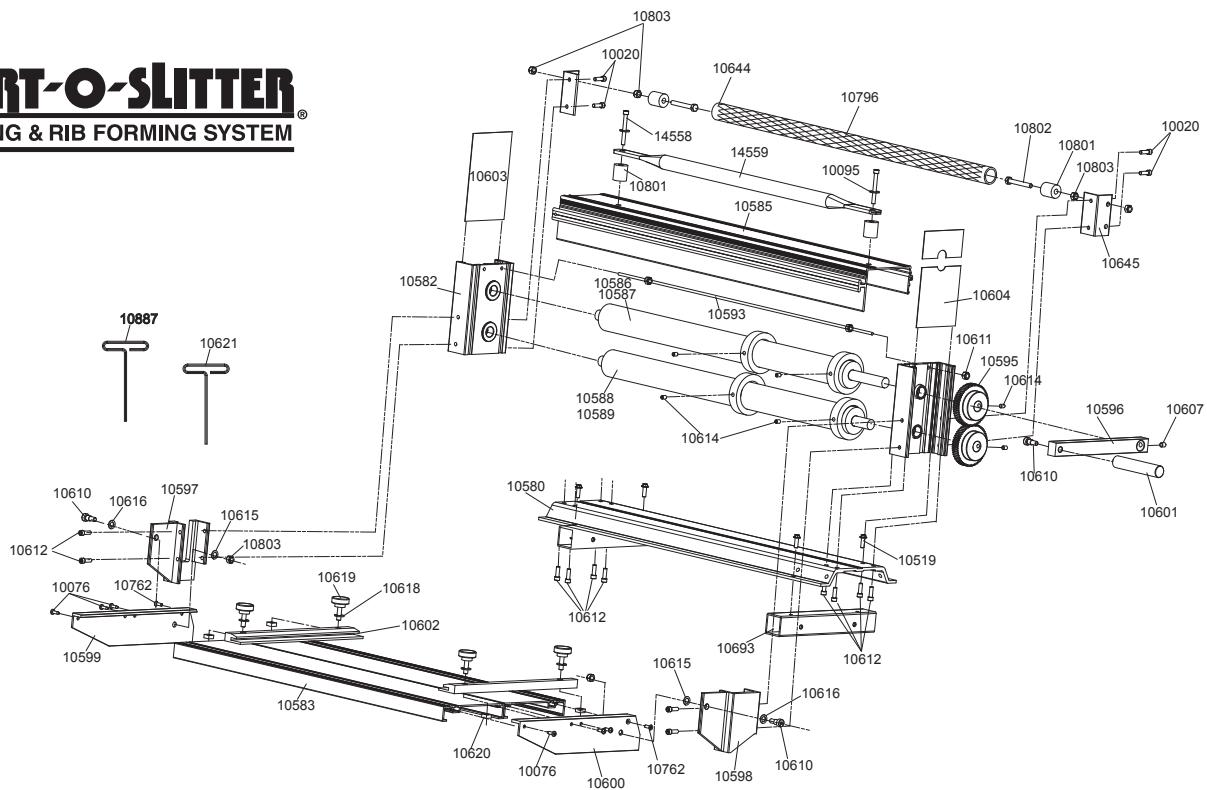


PORT-O-SLITTER[®]

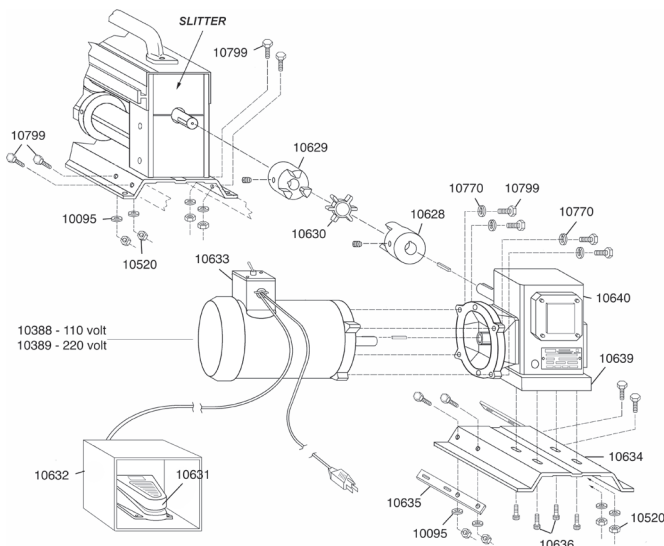
SLITTING & RIB FORMING SYSTEM



Item #	Description	Price
10020	1/4 -20 x 5/8" Hex Button HD	0.42
10095	1/4" Flat Washer	0.26
10519	1/4 -20 x 3/4" Hex Wash HD	0.26
10580	24" Slitter Base	64.58
10582	Bearing Support Assembly	23.63
10583	24" Coil Table	39.90
10585	24" Slitter Top Cover	88.20
10587	2" x 24" Upper Shaft	189.00
10589	2" x 24" Lower Shaft	182.70
10593	24" Tie Bar	4.99
14559	24" Carrying Handle	9.66
10595	Drive Gear	49.61
10596	Crank Handle Arm	19.95
10597	Pivot Bracket - Left	23.63
10598	Pivot Bracket - Right	23.63
10599	Table Arm - Left	29.93

Item #	Description	Price
10600	Table Arm - Right	29.93
10601	Crank Handle	7.35
10602	Nylon Coil Guide Bar	9.98
10603	End Cap - Left	13.65
10604	End Cap - Right	13.65
10607	5/16 x 1/2" Sock Set Screw	0.42
10610	3/8" Shoulder Bolt	2.63
10611	10-24 Hex Nut	0.42
14558	1/4 -20 x 3/4" Sock Cap	0.58
10612	1/4 -20 x 3/4" Sock Cap Screw	0.30
10614	5/16-18 x 3/8" Set Screw	2.52
10615	3/8 x 1/32" Nylon Washer	0.26
10616	3/8 x 1/16" Nylon Washer	0.32
10617	5/16-18 x 3/4" Hex Cap	0.37
10618	5/16 Flat Washer	0.26
10619	5/16" Knurled Knob	2.52

Item #	Description	Price
10620	5/16-18 Square Nut	0.26
10621	5/32" Hex T Wrench	7.35
10622	Tape Measure 5'6" (not shown)	2.52
10623	Cut Off Stop	4.99
10624	10-24 x 1/2" Sock Cap Screw	0.32
10644	24" Receiver Roller	23.63
10645	Receiver Bracket	7.35
10693	Base Plate Tube	11.03
10762	10-24 x 5/8" Phil Flat HD	0.26
10796	Roller Cover	2.52
10798	10-24 x 5/8" Phil Pan HD	0.32
10801	Roller Tube Insert	1.26
10802	5/16-18 x 2-1/4" Hex Bolt	0.42
10803	5/16-18 Nylok Hex Nut	0.11
10887	3/16 Hex Key Wrench	6.30
12046	POS Parts Bag	34.65



Motor Kit

Item #	Description	Price
10095	1/4" Flat Washer	0.26
10520	1/4 -20 Nylock Hex Nut	0.53
10627	Slitter Motor	252.00
10628	7/8" Coupling Body	28.35
10629	3/4" Coupling Body	28.35
10630	Coupling Sleeve	11.03
10631	Foot Switch	44.63
10632	Foot Guard	91.88
10633	Toggle Switch	7.35
10634	Slitter motor base	9.98
10635	Base Connector	3.68
10636	1/4 -20 x 1" Sock Cap	0.26
10639	Worm Gear Spacer	79.80
10640	Worm Gear Drive	483.00
10770	1/4" Lock Washer	0.26
10799	1/4 -20 x 1" Hex Wash Hd	0.32

