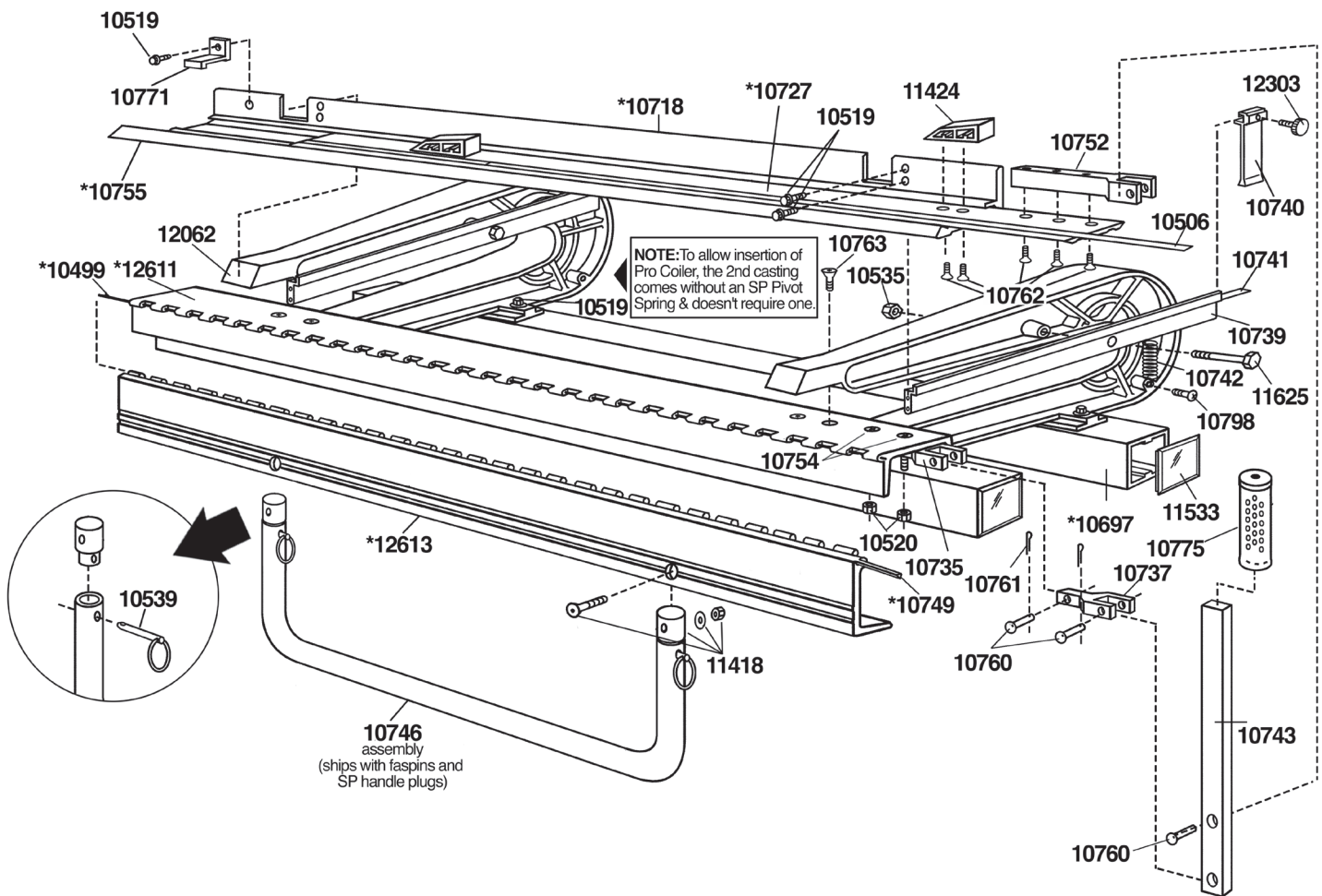


Windy[®]

SP



Note: Limited parts are still available for W13, W14, and Super II models. Please contact Customer Service for more information.

* For length-specific parts, 8'6" part numbers are shown in diagram (above).

Item #	Description
10499	8'6" Hinge Pin
10500	10'6" Hinge Pin
10505	10'6" Tape Measure
10506	8'6" Tape Measure
10520	1/4-20 x 3/4" Hex Wash Hd
10535	3/8-16 Nylock Hex Nut
10697	8'6" Bottom Rail
10699	10'6" Bottom Rail
12613	8'6" Moving Hinge
12614	10'6" Moving Hinge
12611	8'6" Fixed Hinge
12612	10'6" Fixed Hinge
10718	8'6" Clamping Bar
10721	10'6" Clamping Bar
10727	8'6" Slide Bar
10729	10'6" Slide Bar
10735	Fixed Yoke

Item #	Description
10737	Pivot Yoke
10739	Pivot Arm
10740	Pro/SP Material Stop
10741	Pivot Arm Tape
10742	Pivot Spring
10743	Locking Handle
10746	Lifting Handle Assembly
10749	8'6" Windy Vinyl Strip
10750	10'6" Windy Vinyl Strip
10752	Locking Block
10754	1/4-20 1 3/4" Phil Fl Hd Screw
10755	8'6" Stainless Edge
10756	10'6" Stainless Edge
10760	Yoke Pin
10761	3/32" Cotter Pin
10762	10-24 x 5/8" Phil Fl Hd Screw
10763	1/4-20 x 3/4" Phil Fl Hd Screw

Item #	Description
10771	Slide Bar Retainer
10775	Locking Handle Grip
10798	10-24 x 5/8" Phil Pan Hd Screw
10539	1/4" x 1 1/4" Faspin
11418	Windy Handle Plug Kit (2) Screw 1/4-20 Zinc (2) Nut Hex 1/4-20 Zinc (2) SP Handle Plug (2) Washer Lock 1/4 Zinc
11424	SP Wedge Kit
11533	Back Rail Cap
11625	3/8-16 x 3/4" Hex Cap Bolt
12045	Windy SP Parts Bag
12062	Windy SP C Casting
12303	1/4" -20x3/4" Knurled Knob